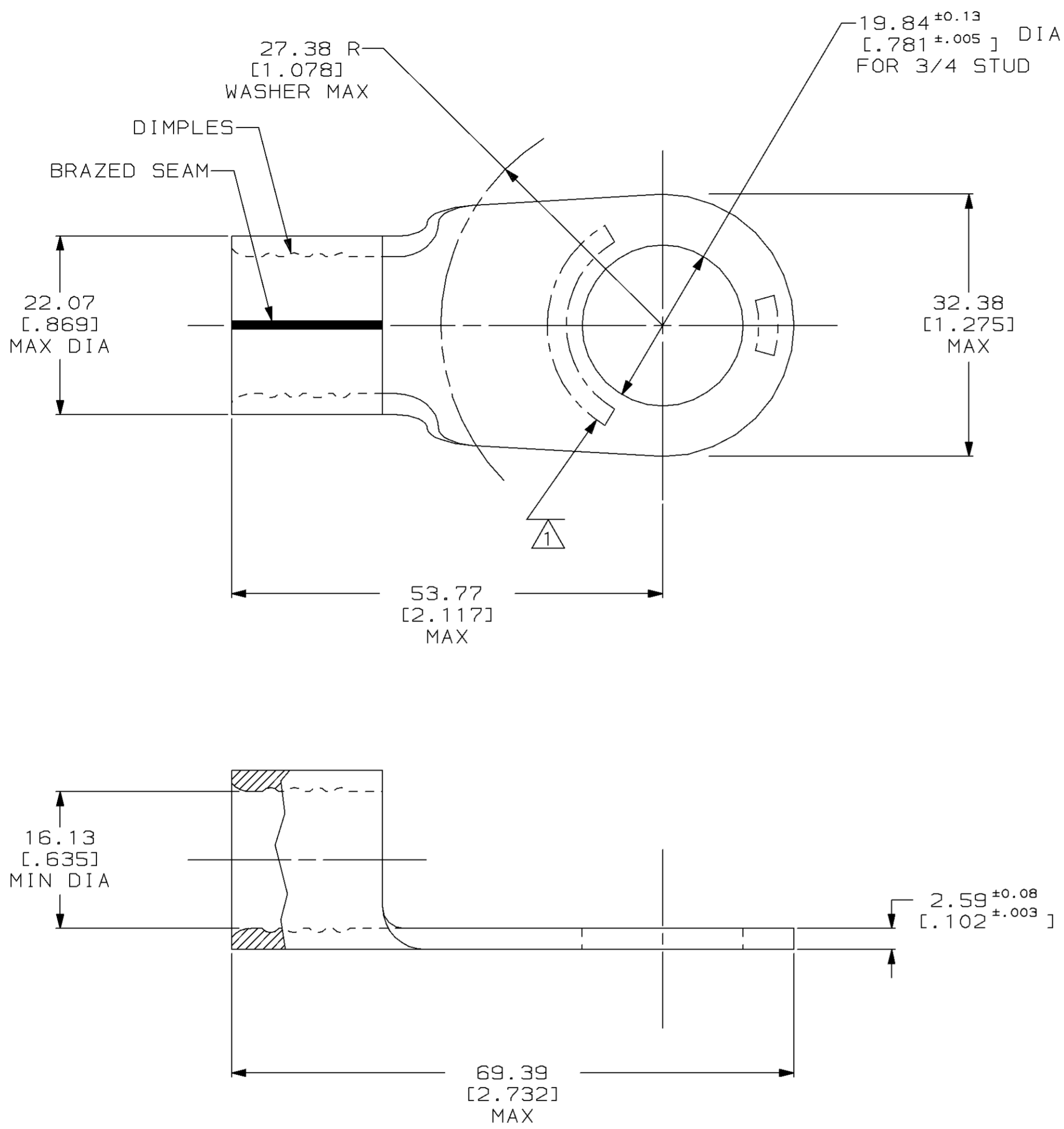


THIS DRAWING IS UNPUBLISHED. RELEASED FOR PUBLICATION ,19 .
 © COPYRIGHT 19 BY AMP INCORPORATED. ALL INTERNATIONAL RIGHTS RESERVED.

| LOC | | DIST | | REVISIONS | | | | DATE | APPD |
|-----|----|------|-----|-------------|--------------------------------|---------|-----|------|------|
| P | F | ZONE | LTR | DESCRIPTION | | | | | |
| G | 14 | | | D | REV & REDRAWN PER 0720-0124-93 | 10/5/93 | AJK | | |

METRIC
 DIMENSIONS LISTED IN mm [INCHES]



| | |
|-------------------------------|----------------------------|
| AMP WIRE RANGE | UL E13288 Listed |
| 4/0 AWG SOLID OR STRANDED | 4/0 AWG STRANDED |
| SR LR7189 Certified | MILITARY P/N AND CLASS |
| 4/0 AWG SOLID OR STRANDED | NOT APPLICABLE |

1 STAMP AMP 4/0W* 200 APPROX AS SHOWN

| | | | | | | | | | |
|---|--|--|--|--|--|----------------------------|--|---|--|
| AMP INCORPORATED CUSTOMER SERVICE SYSTEMS | | MAX RECOMMENDED OPERATING TEMPERATURE: 170°C MAX | | DO NOT SCALE PRINT. UNLESS SPECIFIED DIMENSIONS IN mm [INCHES] TOLERANCES ON: 2 PLC DEC ± 0.20 [.008] 3 PLC DEC ± - ANGLES ± - | | DR 10/5/93 DK SCHRUM | | 322228 PART NO | |
| FOR ADDITIONAL PRODUCT INFORMATION OR COPIES OF DRAWINGS AND TECHNICAL DOCUMENTS | PRODUCT INFORMATION CENTER 1-800-522-6752 | VOLTAGE RATING: NOT APPLICABLE | | MATERIAL COPPER PER ASTM B-152 ANNEALED | | CHK 10/6/93 AJ KAUFMAN | | AMP Incorporated Harrisburg, PA 17105-3608 | |
| FOR APPLICATION TOOLING INFORMATION | TOOLING ASSISTANCE CENTER 1-800-722-1111 | WIRE CROSS SECTIONAL AREA RANGE: 96.3-117.0mm ² [190,000-231,000] CIR MILS SOLID OR STRANDED | | FINISH TIN PLATE 0.00254 [.000100] MIN THK PER MIL-T-10727 | | APPD 10/6/93 RE ROSER | | NAME TERMINAL, RING TONGUE, SOLISTRAND™ | |
| FOR ORDER ENTRY | 1-800-526-5142 | THIS DRAWING IS A CONTROLLED DOCUMENT FOR AMP INCORPORATED. IT IS SUBJECT TO CHANGE AND THE CONTROLLING ENGINEERING ORGANIZATION SHOULD BE CONTACTED FOR THE LATEST REVISION. | | | | APPD 10/6/93 JL MECKLEY | | DRAWING NO C=322228 | |
| | | | | | | APPLICATION SPEC - | | SIZE C 00779 | |
| | | | | | | PRODUCT SPEC - | | CAGE CODE 00779 | |
| | | | | | | WEIGHT - | | DRAWING NO C=322228 | |
| | | | | | | SCALE 2:1 | | SHEET 1 OF 1 | |